

- A. Place the light in front of you so that the captive screw hole is at the top, and the lamp is in a horizontal position.
- b. Grasp the lamp to the right, compressing the spring in the lamp socket, until the left side of the lamp comes free the fixed socket end.

WARNING

Be sure power is OFF before installing or removing lamp. Allow lamp to cool before relamping. This light fixture uses a Halogen Quartz lamp. Do Not touch lamp with bare hands, this may severely reduce its life. Use the plastic furnished with the replacement lamp to eliminate finger prints from getting on lamp.

8. Install the new lamp by performing steps II. 1 through 7 in reverse order.

NOTE: Select proper lamp for either 12 volt applications.

9. Never reuse the old lens seal when reassembling any light. Replace with a genuine Underwater Light lens seal.
10. Install the lens seal, lens and plastic face ring, The lens must be placed with the word "TOP" to the top of the housing.

WARNING

Always install a new lens seal, whenever disassembling the light. Failure to do so may permit water to leak into the assembly which could cause; (a) an electrical hazard resulting in death or serious injury to pool users, installer, or others due to electrical shock, or (b) breakage of the lamp or lens, which likewise could result in serious injury to pool user, installers, or bystanders, or in damage to property.

Concrete Replacement Parts	
Item	Description
1	Captive Screw
2	Light Fixture
3	Mounting Oring
4	Mounting Bracket

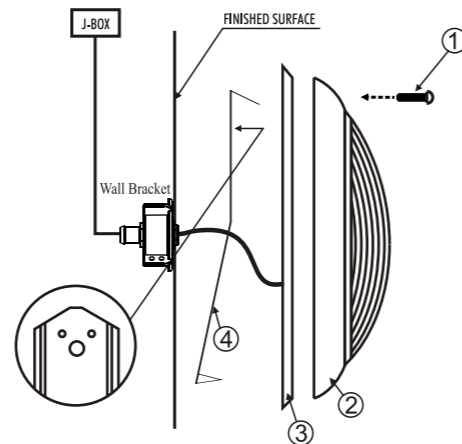
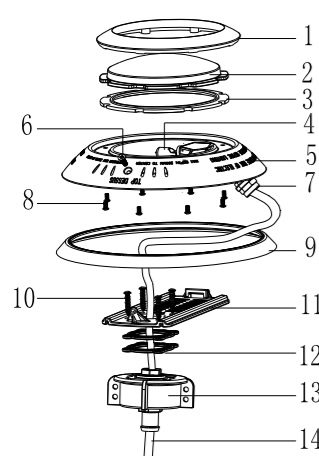


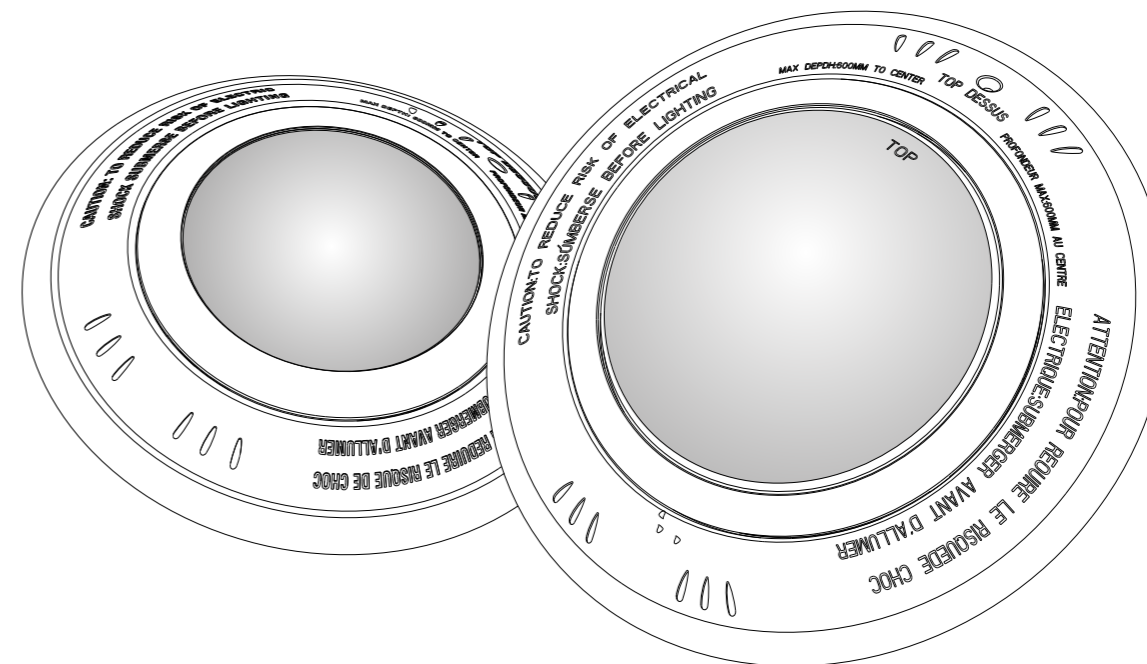
Figure 3



Underwater Light Replacement Parts		
Item	Part Number	Description
1	01051169	Face ring
2	01041037	Lens
3	02021027	Lens seal
4	04011005	Lamp 12 volt/75watt
5	89043704	UL-NS75W Face Plate
6	03011016	Screw on face
7	89043701	Nut on cable
8	03011151	Screw
9	02021036	O'ring Seal For Cover
10	03011149	Mounting screw
11	01051171	Mounting Bracket
12	02011158	Gasket
13	89043702	Wall Bracket
14	04014016	Cable

Figure 4

UL-NS75 & UL-NS150 Stainless Steel Underwater Light Operating Instruction



PLEASE READ THE FOLLOWING CAREFULLY AND KEEP THIS USER MANUAL SAVE FOR FUTURE REFERENCE

DANGER !

RISK OF ELECTRICAL SHOCK OR ELECTROCUTION

This underwater light fixture must be installed by a licensed or certified electrician or a qualified serviceman in accordance to the requirements of your government standard or local authorities. Improper installation will create electric hazards which could result in serious injury, death as well as damage to the property. Before servicing the light, disconnect the power supply from the circuit breaker. Failure to do so could result in serious injury, death and or damage to the property.

I. Installing a mounting bracket and light fixture during new vinyl pool construction:

A. Preparatory steps which must be completed by the electrician before light is installed, see Figure 1.

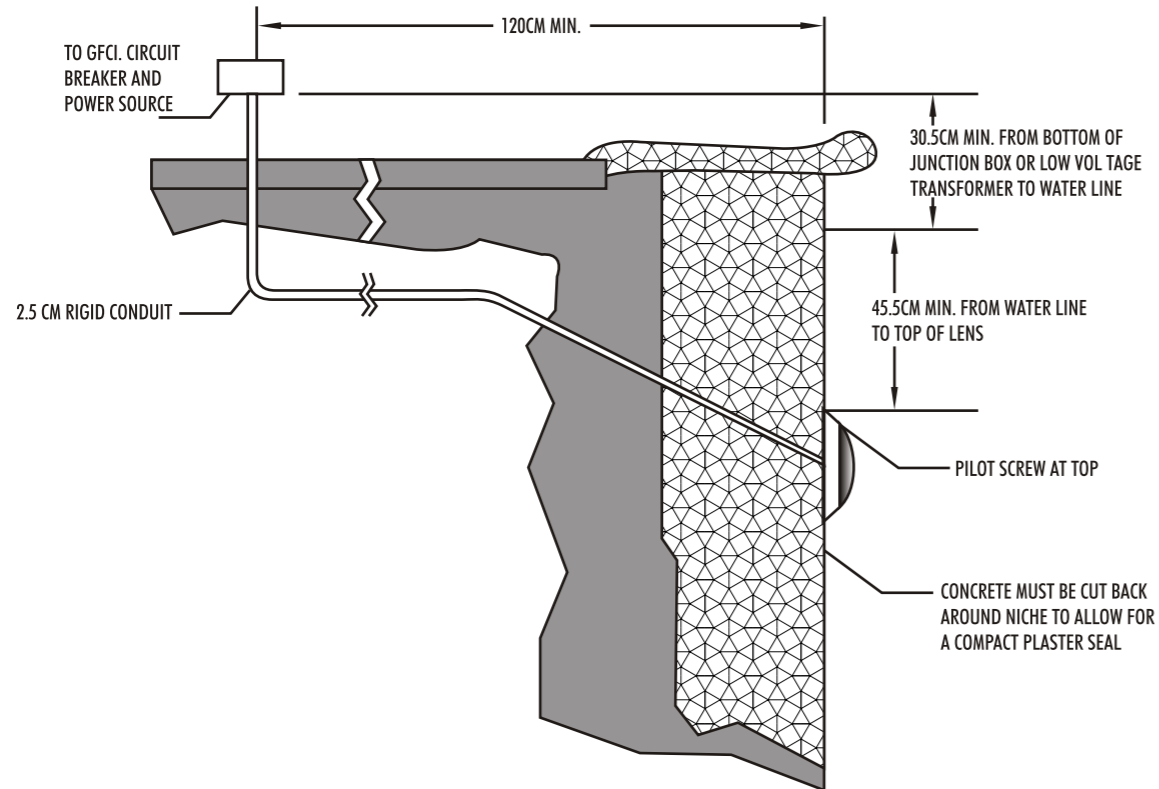


Figure 1.

1. Ensure that the electrical system of the pool conforms with the requirements of the current National Electrical Code (NEC) and all local codes and ordinances. A licensed or certified electrician must install the electrical system to meet or exceed those requirements before the Underwater light is installed. Some of the requirements of the NEC are listed below.
 - a. The lighting circuit must have a Ground Fault Circuit Interrupter (GFCI), and have an appropriately rated circuit breaker.
 - b. The junction box, or the low voltage transformer for 12 volt models, is located at least 30.5CM above water level and at least 120CM from the edge of the pool, see Figure 1.
 - c. The light fixture and metal items within 150CM of the pool must be properly electrically bonded.
 - d. The mounting bracket must be properly installed so that the top edge of the Underwater Light's lens is at least 45.5CM below the surface of the water in the pool. Top of lens corresponds to center of center of Plastic Mounting Hub. see Figure 1.
 - e. The mounting bracket must be properly electrically bonded and grounded via the NO. 8AWG ground connector located at the upper left corner of the mounting bracket.
2. Consult the local Government Building Department to be certain that the pool's electrical system meets all applicable requirements.

B. Perform the following steps after the electrical system requirements are met. See Figure 3.

1. Locate position on a vertical wall where light is to be installed. The top of the light lens must be 45.5CM below normal water level, as required by NEC Article 680. The center of the mounting hub will line with the top of light lens. See Figure 2.

2. If pool surface is to be plastered, you must allow proper concrete cutback for plaster thickens.
3. Wrap a length of the cord up to a maximum of 240CM long on the back of the light assembly. Wind a minimum of three (3) wraps of cord so that the last wrap stops at the top of the light. This extra cord allows you to bring the light out of the pool for revamping and serving.

NOTE: Leave 2 to 3 of slack cord at the top so that the light may be tipped back for removal.

4. Feed the remaining cord through the conduit hole in the mounting hub.
5. Place light clip over pin on the bottom of the light mounting bracket and press lightly to secure into place. Secure at top with captive screw. When installed properly, the housing spacer should fill any gap between the pool wall and the light.
6. Connect cord to electrical wires at Junction Box, be careful not to pull the 7.5CM of slack cord at the back of the light through the conduit when connecting the wires. All wiring should be connected to a Class A GFCI in accordance with electrical codes.
7. Connect all three wires to the corresponding circuit wires in the junction box and secure the junction box cover in place.
8. Before operating the light for more than 10 seconds fill pool Underwater Light is completely submerged in water. To check for proper operation turn on main switch or circuit breaker, as well as the switch which operates Underwater light itself.

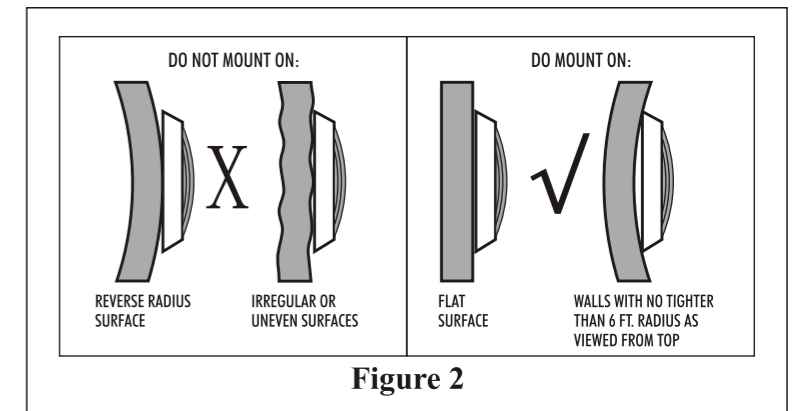


Figure 2

WARNING

Never operate this Underwater Light for more than 10 seconds unless it is totally submerged in water. Without total submersion, the light assembly will get extremely hot, which may result in serious injury to pool users, installers, or bystanders, or in damage to property.

WARNING

Use only the special stainless steel pilot screw provided with Underwater Light. Failure to use the screw provided could create an electrical hazard which could result in death or serious injury to pool users, installers or others due to electrical shock.

C. Winterizing: Light should be left in place for winterization.

II. Replacing a lamp only:

DANGER

Always disconnect power to the pool light at the circuit breaker before servicing the light. Failure to do so could result in death or serious injury to installer, servicemen, pool users, or others due to electrical shock.

A. The following steps may be performed by a qualified pool serviceman or homeowner. See Figure 4.

1. Turn off main electrical switch or circuit breaker as well as the switch which operates Underwater Light itself.
2. Unscrew the captive screw on the top of the light, then tilt the top of the light out from the wall and lift the bottom of the light out of the bracket. Unwind the excess cable that is stored in the back of the light.
3. Place the light face down on the deck. Be careful not to scratch the lens.
4. Remove the housing spacer from the back of the light.
5. With a Phillips head screwdriver, remove the 10 screws on the back of the light.
6. Turn the light over while holding the glass lens, remove the glass lens, plastic ring and lens seal.
7. To remove the lamp: